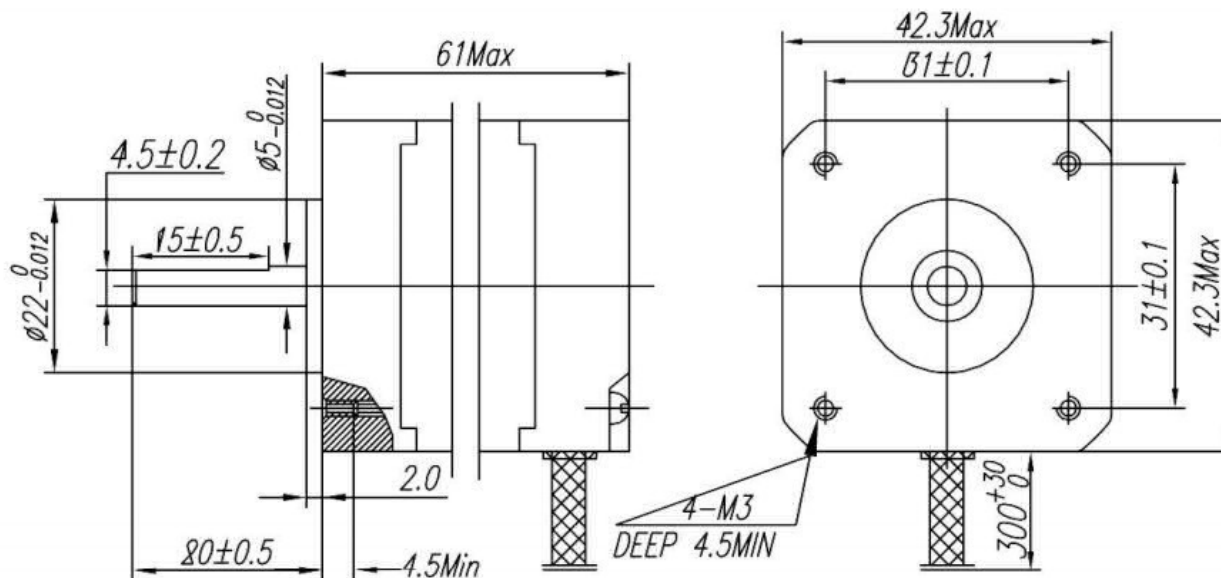


# 850-3101 SLH1724-130-4AX00

Mechanical Dimension



MODEL	SLH1724-130-4AX00		
No. of Phase	2	Rotor Inertia [g*cm <sup>2</sup> ]	114
Step Angle [°]	1.8	Insulation Resist [Mohm]	100 @ 500 VDC
Voltage [V / Φ]	6.8	Dielectric Strenght [V ac]	500 for 1 min 5 mA
Current [A / Φ]	1.3	Temperature Rise [°C]	80
Resistance ± 10% [Ω / Φ]	5.2	Ambient Temperature [°C]	-20 ... +50
Holding Torque [Nm]	0.93	Ambient Humidity [RH]	15% ... 85% no dew
Inductance ± 20% [mH/Phase]	10	Protection Class	IP 40
Insulation Class	B	Weight [Kg]	0,470
Lead Style	AWG26 UL1007		
Detent Torque [Nm]			

Wiring Diagram

