

SONCEBOZ

► Torque Motor

4256



COMPACTNESS



ROBUSTNESS



LONG LIFETIME

- Working angle 75° max
- Positioning time < 100 ms
- Weight 650 g
- Peak torque @ 13.5V .. 1400 mNm

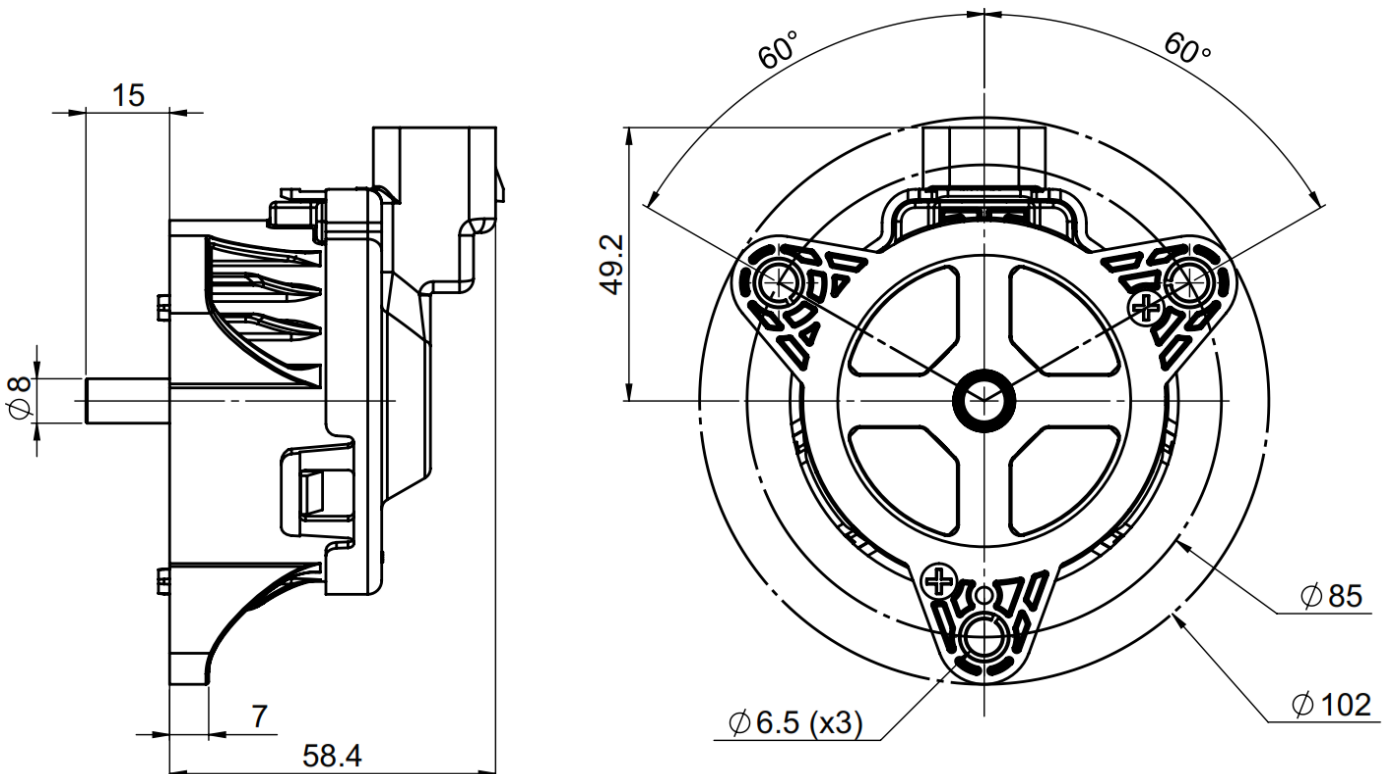
This actuator is a contactless direct drive device and exhibits both high torque and dynamics.

► Technical data

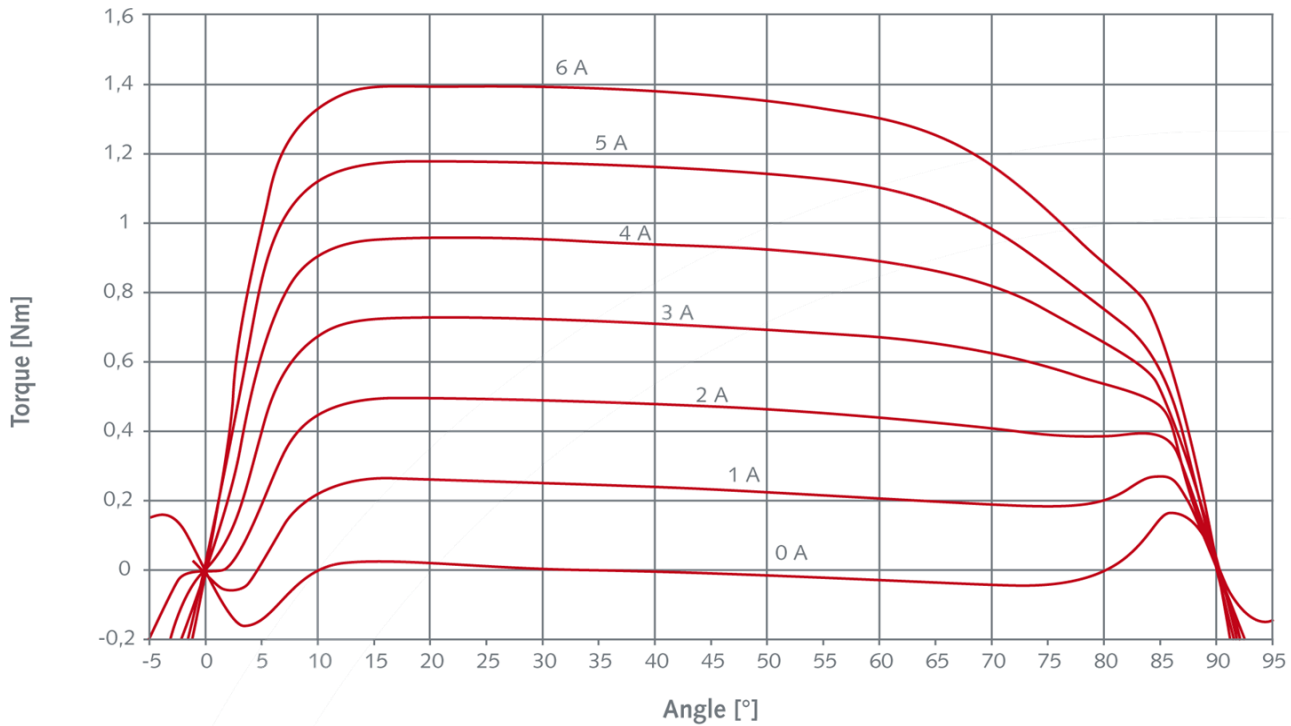
| Resistance [Ω] | Inductance [mH] | Torque constant [mNm/A] | Motor constant [mNm/√W] | Detent torque [mNm] | Sensor signal |
|----------------|-----------------|-------------------------|-------------------------|---------------------|--|
| 2.3 | 19 | 235 | 155 | 110 | Programmable: - Analog: 0.5 to 4.5 V - Digital: PWM / SENT |

► Dimensions

Drawing not to scale. All dimensions in mm.



► Dynamic characteristics



► Main Features

- Compact, robust, contactless
- Single phase DC operation (H-bridge compatible)
- Nominal torque proportional to current, bi-directional
- High peak torque
- Programmable contactless position sensor
- Integration of fail-safe optional
- Waterproof design optional

► Operating conditions

Qualified for on-engine applications:

Ambient temperature: -40 ... > +160° C
 Vibrations: 40 g