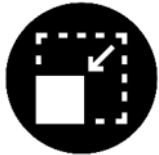


**SONCEBOZ**

**► Torque Motor**

**4248**



COMPACTNESS



ROBUSTNESS



LONG LIFETIME

- Working angle ..... 75° max
- Positioning time ..... < 100 ms
- Weight ..... 350 g
- Peak torque @ 13.5V .. 820 mNm

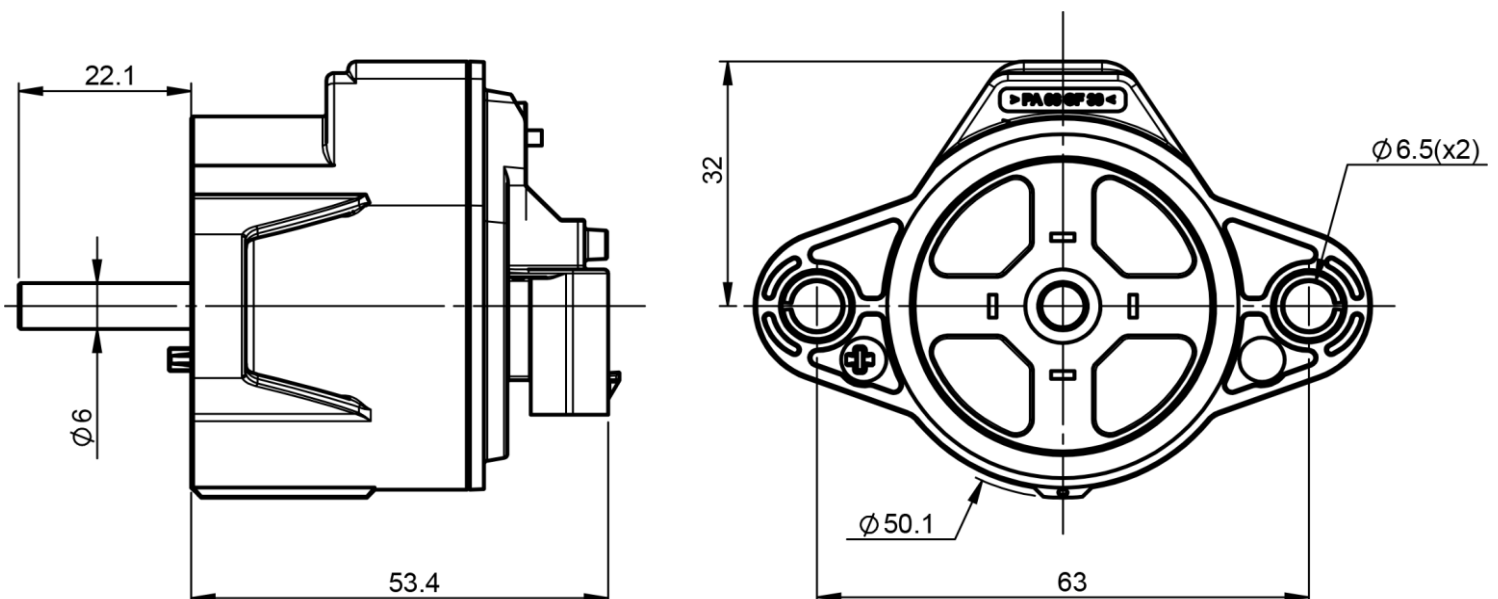
This actuator is a contactless direct drive device and exhibits both high torque and dynamics.

**► Technical data**

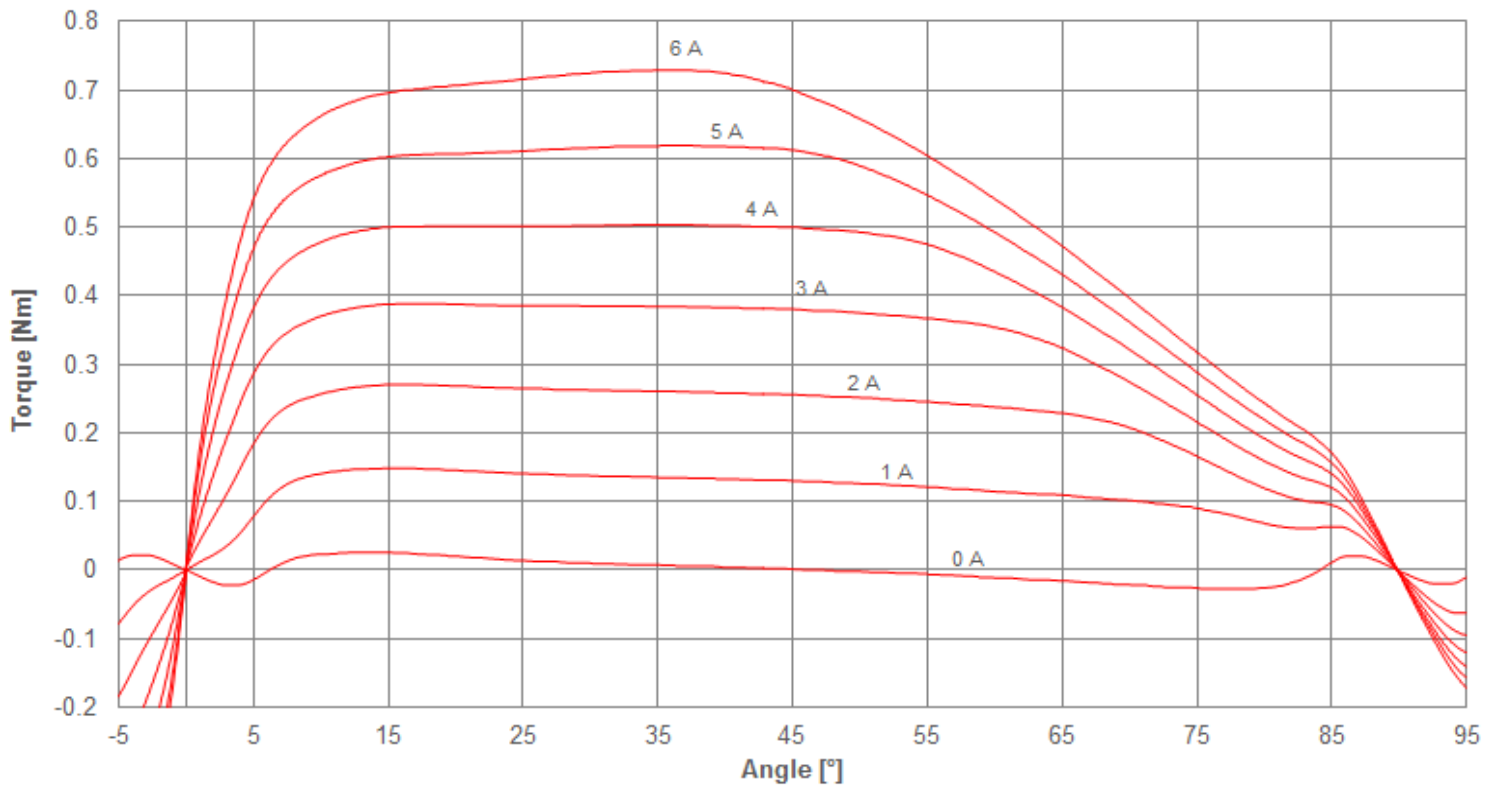
Resistance [Ω]	Inductance [mH]	Torque constant [mNm/A]	Motor constant [mNm/√W]	Detent torque [mNm]	Sensor signal
2	15	130	92	45	Programmable: - Analog: 0.5 to 4.5 V - Digital: PWM / SENT

**► Dimensions**

Drawing not to scale. All dimensions in mm.



## ► Dynamic characteristics



## ► Main Features

- Compact, robust, contactless
- Single phase DC operation (H-bridge compatible)
- Nominal torque proportional to current, bi-directional
- High peak torque
- Programmable contactless position sensor
- Integration of fail-safe optional
- Waterproof design optional

## ► Operating conditions

### Qualified for on-engine applications:

- Ambient temperature: -40 ... > +160° C
- Vibrations: 40 g