



## ► Hybrid stepper motors

**6630-50**

- Step angle ..... 1.8°
- Diameter ..... 86 mm
- Weight ..... 4000 g
- Holding torque ..... 9 Nm

The hybrid stepper motor comes into its own where torque at low speed, positioning, and accuracy are determining factors.

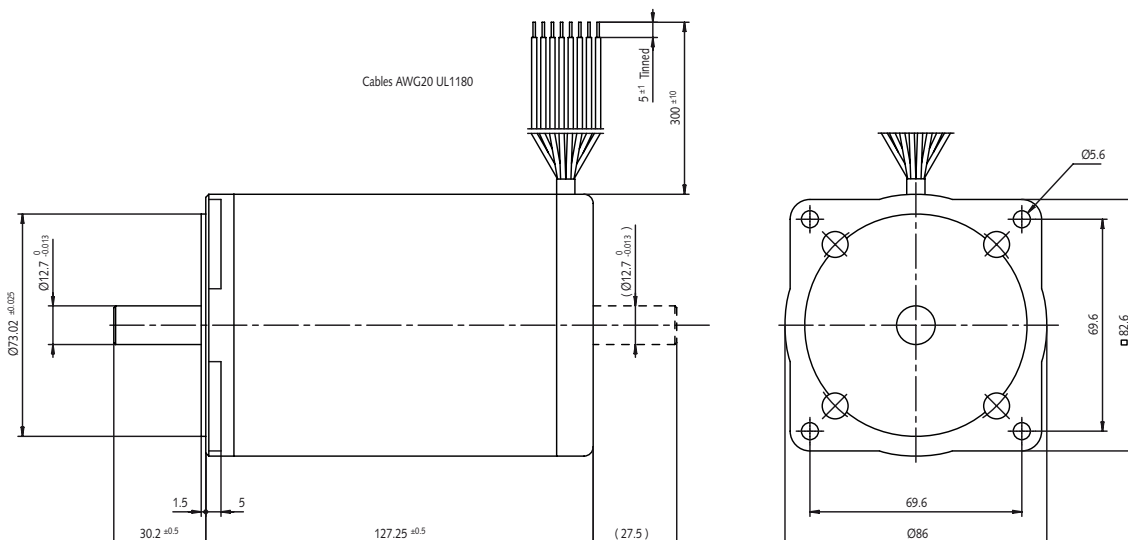
### ► Technical data

|                    | Part N°       | Phase resistance [Ω] | Phase inductance [mH] | Phase current [A] | Holding torque [Nm] | Nominal power [W] |
|--------------------|---------------|----------------------|-----------------------|-------------------|---------------------|-------------------|
| Phases in parallel | 6630-50-4-0.4 | 0.2                  | 1.8                   | 10                | 9                   | 40                |
| Phases in series   |               | 0.8                  | 7.2                   | 5                 | 9                   | 40                |

|                  |                       |
|------------------|-----------------------|
| Steps/rev.       | 200                   |
| Step accuracy    | ± 5 %                 |
| Rotor inertia    | 3950 gcm <sup>2</sup> |
| Insulation class | B 130° C              |
| Protection       | DIN 40050<br>IP 30    |
| Test voltage     | 500 VAC               |
| Detent torque    | 300 mNm               |

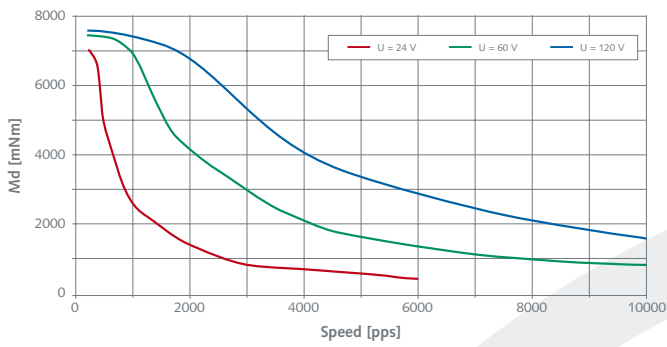
### ► Dimensions

Drawing not to scale. All dimensions in mm.

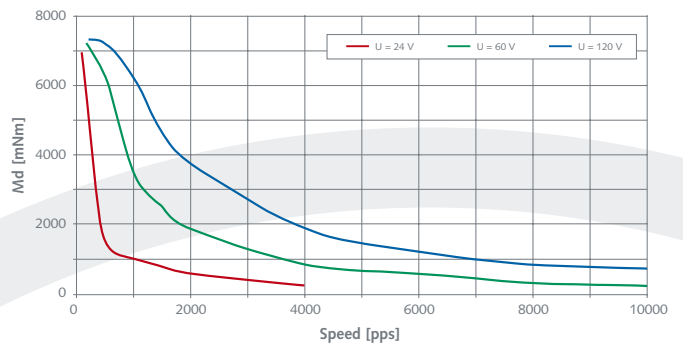


► Dynamic characteristics

• 6630-50-4-0.4 ► Phases in parallel



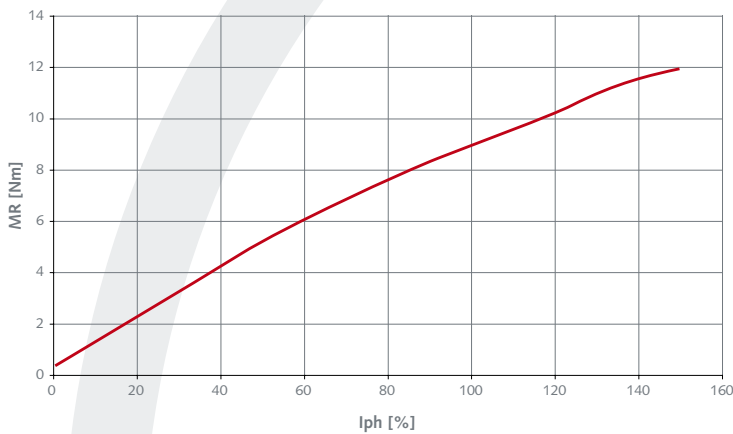
• 6630-50-4-0.4 ► Phases in series



[pps] = pulses per second

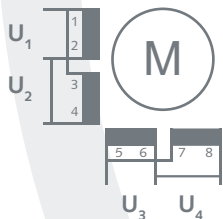
► Static characteristics

• 6630-50-4 Series

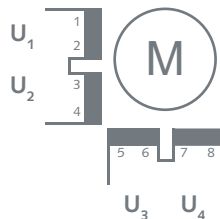


► Electrical Interface

► Phases in parallel



► Phases in series



- U<sub>1</sub> 1 green  
2 orange
- U<sub>2</sub> 3 black-white  
4 green-white
- U<sub>3</sub> 5 red  
6 black
- U<sub>4</sub> 7 white  
8 red-white

Special requirements upon customer specifications. Right to change reserved.

< 1.0 >

SONCEBOZ SA  
 2605 Sonceboz - Switzerland  
 Tel. +41(0) 32 488 11 11  
 Fax +41(0) 32 488 11 00  
 E-mail : info@sonceboz.com  
 Internet : www.sonceboz.com

