

▶ Linear actuators

7220

- Max. Force 35 N
- Size 39.5 x 39.5 mm
- Max. Travel 22.2 / 635 mm
- Weight 135 g
- Increment/step ... 0.0254 mm (0.001")

The reliability of the actuator allows to use it under extrem conditions where compact dimensions and precision are required.

▶ Technical data

	Part N°	Phase resistance [Ω]	Phase inductance [mH]	Phase current [A]	Max. Force [N]	Nominal power [W]
Unipolar	7220-4-10	10	6.5	0.5	35	5

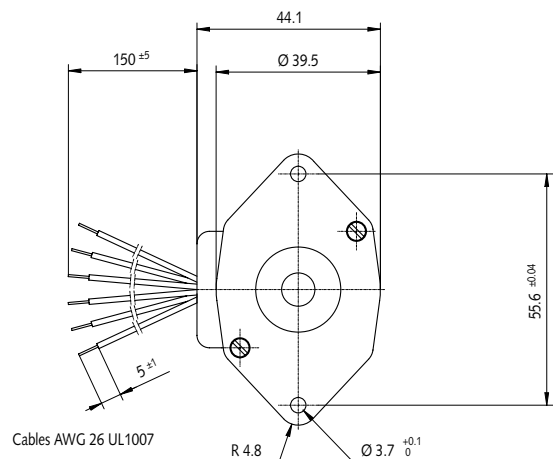
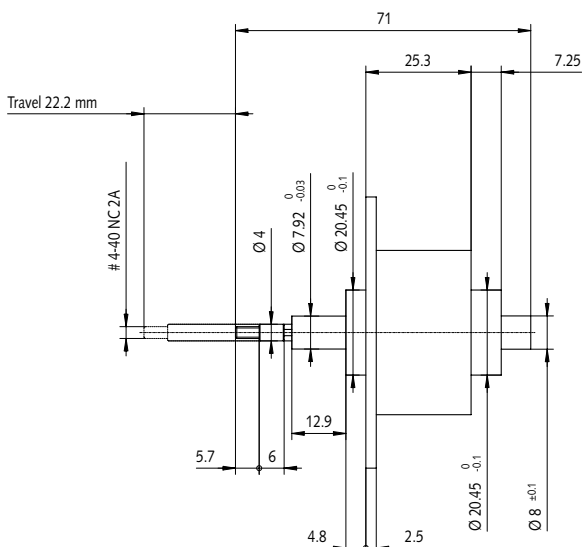
Max. travel length with antirotational device: 22.2 mm

Max. travel length without antirotational device: 63.5 mm

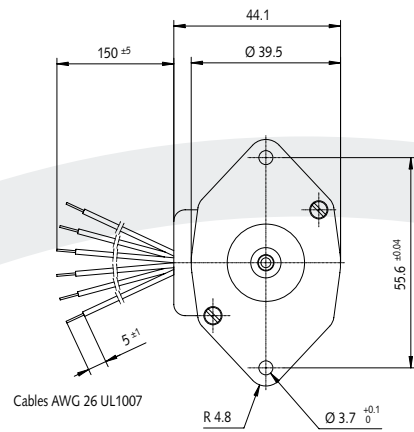
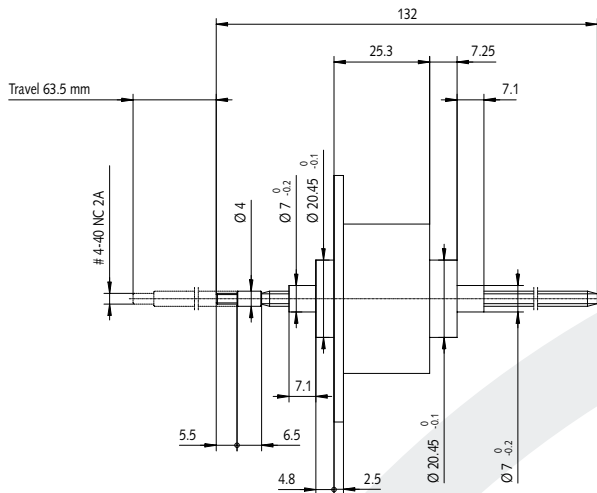
▶ Dimensions

Drawing not to scale. All dimensions in mm.

- With antirotational device (captive shaft)

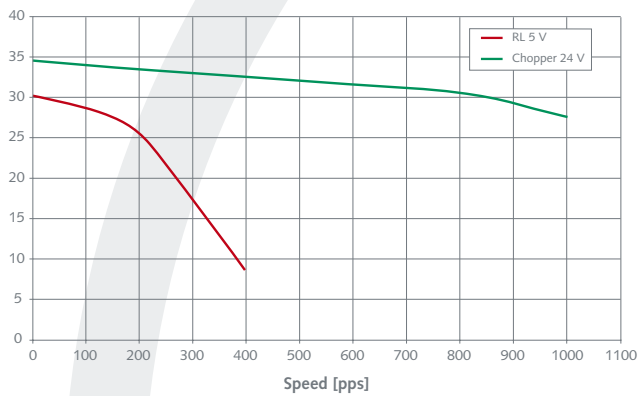


- Without antirotational device (non captive shaft)



► Dynamic characteristics

- 7220-4-10



[pps] = pulses per second

► Working conditions

Insulation Class	E 120° C
Protection	DIN 40050
	IP 30
Test Voltage	500 VAC

Special requirements upon customer specifications. Right to change reserved.

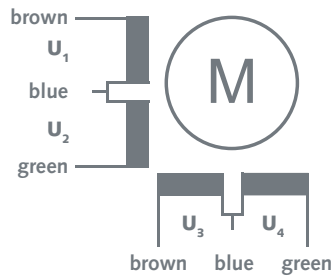
< 1.0 >

SONCEBOZ SA
 2605 Sonceboz - Switzerland
 Tel. +41(0) 32 488 11 11
 Fax +41(0) 32 488 11 00
 E-mail : info@sonceboz.com
 Internet : www.sonceboz.com

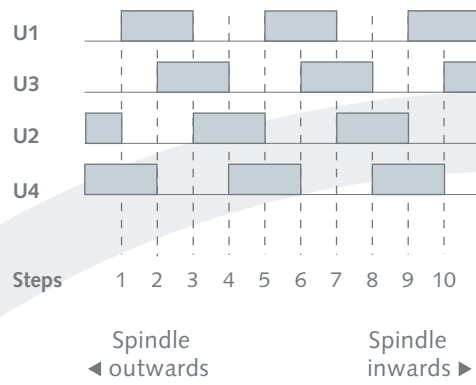


▶ Electrical Interface and Step sequence

• Connection



• Steps sequence



Special requirements upon customer specifications. Right to change reserved.

< 1.0 >

SONCEBOZ SA
 2605 Sonceboz - Switzerland
 Tel. +41(0) 32 488 11 11
 Fax +41(0) 32 488 11 00
 E-mail : info@sonceboz.com
 Internet : www.sonceboz.com

