

## ▶ Linear actuators

7211

Max. Force ..... 50 N@400 pps  
 Diameter ..... 25.4 mm  
 Max. Travel ..... 18/80 mm  
 Weight ..... 55 g  
 Increment/step ..... 0.021 mm  
 (48 steps/rev.)

The reliability of the actuator allows to use under extrem conditions where compact dimensions and precision are required.

### ▶ Technical data

Part N°	Phase resistance [Ω]	Phase inductance [mH]	Phase current [mA]	Max. force [N]	Nominal power [W]	Phase tension [V]
7211-2-46	46	41	190	50	3.4	8.8

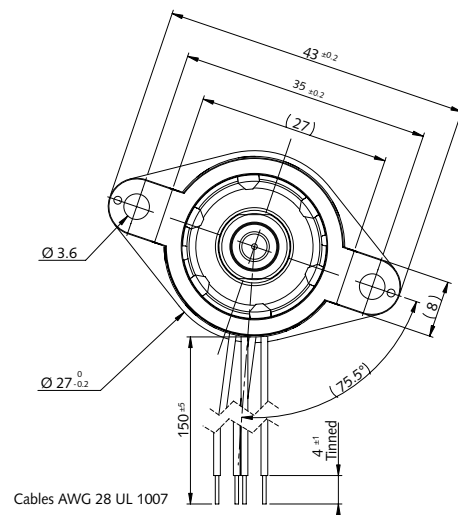
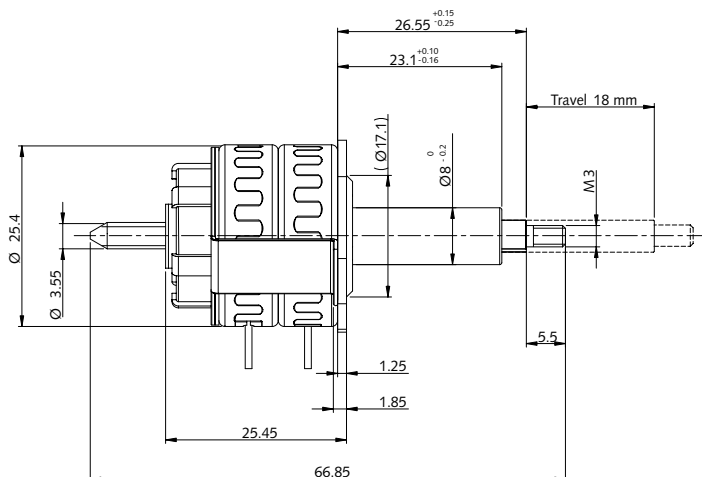
Max. travel length with antirotational device: 18 mm

Max. travel length without antirotational device: 80 mm

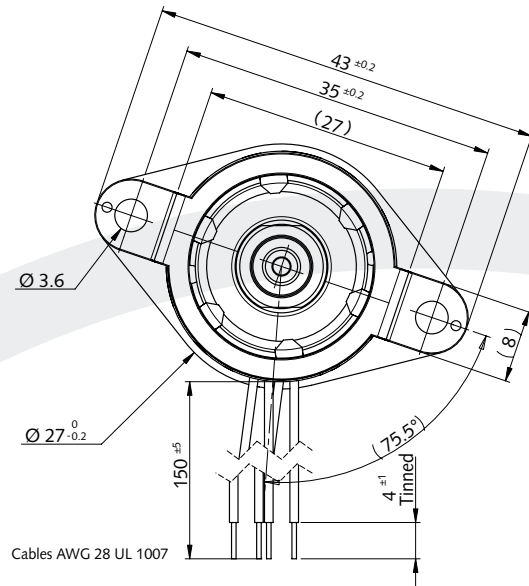
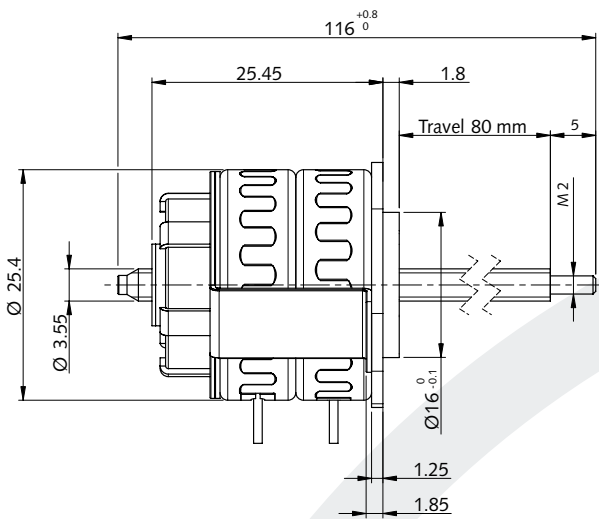
### ▶ Dimensions

Drawing not to scale. All dimensions in mm.

#### • With antirotational device (captive shaft)

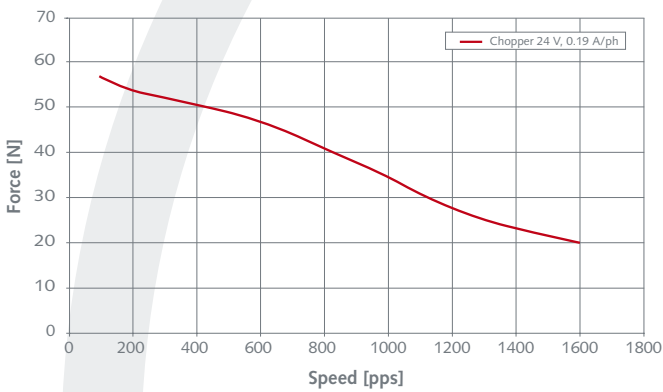


• Without antirotational device (non-captive shaft)



► Dynamic characteristics

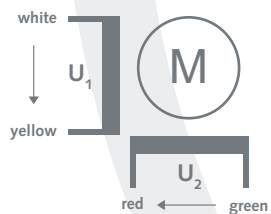
• 7211-2-46



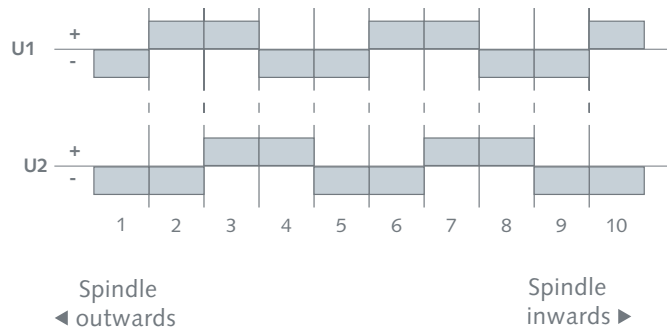
[pps] = pulses per second

► Electrical Interface and Step sequence

• Connection



• Step sequence



Special requirements upon customer specifications. Right to change reserved.

< 1.0 >