



## ▶ Hybrid stepper motors

**6540-18**

- Step angle ..... 1.8°
- Size ..... 42 x 42 mm
- Weight ..... 300 g
- Holding torque .... 240 mNm

The hybrid stepper motor comes into its own where torque at low speed, positioning, and accuracy are determining factors.

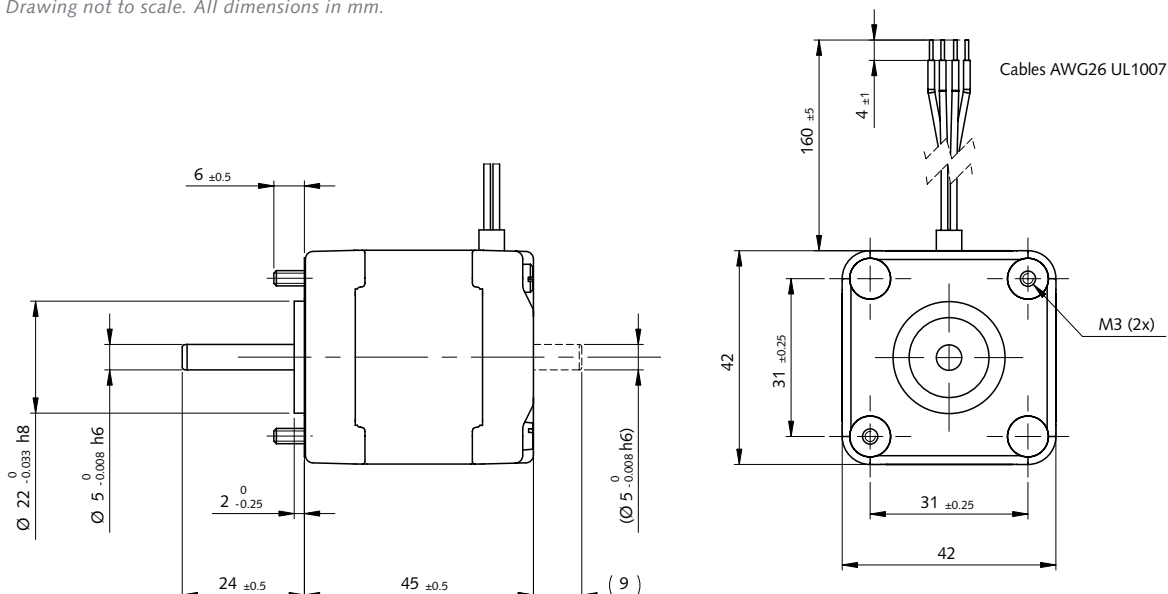
### ▶ Technical data

	Part N°	Phase resistance [Ω]	Phase inductance [mH]	Phase current [A]	Holding torque [mNm]	Nominal power [W]
Bipolar	6540-18-2-0.75	0.75	1	2.3	240	8
	6540-18-2-2.5	2.5	4	1.25	240	7.8

Steps/rev.	200
Step accuracy	± 5 %
Rotor inertia	35 gcm <sup>2</sup>
Insulation class	B 130° C
Protection	DIN 40050 IP 30
Test voltage	500 VAC
Detent torque	14 mNm

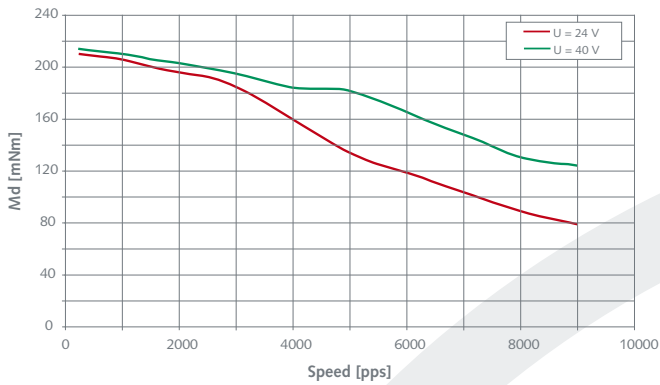
### ▶ Dimensions

Drawing not to scale. All dimensions in mm.

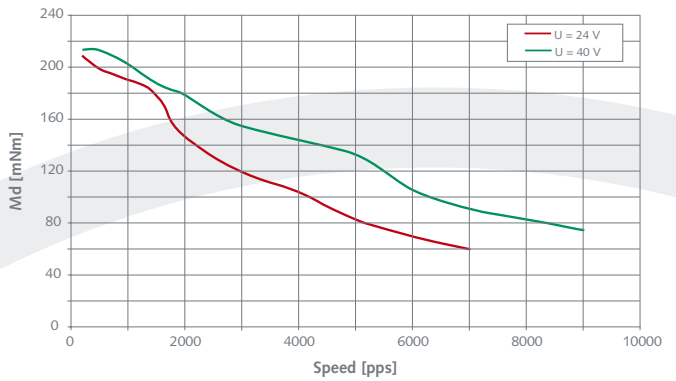


► Dynamic characteristics

• 6540-18-2-0.75



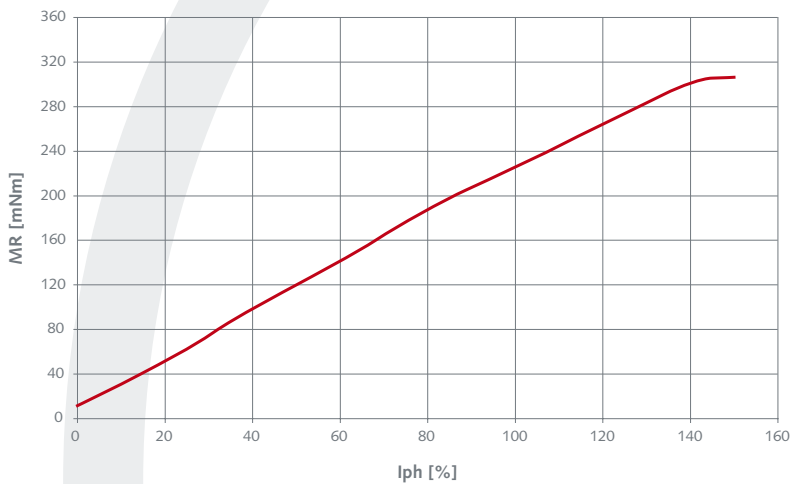
• 6540-18-2-2.5



[pps] = pulses per second

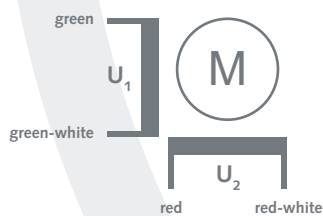
► Static characteristics

• 6540-18-2 Series



► Electrical Interface

• Bipolar



Special requirements upon customer specifications. Right to change reserved.

< 1.0 >